

THE PROPERTY OF THIS DRAWING IS ESTABLISHED BY LAW
IT IS FORBIDDEN TO REPRODUCE IT OR SHOW IT TO THIRD PARTY
WITHOUT A WRITTEN AGREEMENT.

MODIFICATIONS:

7	10
8	11
9	12

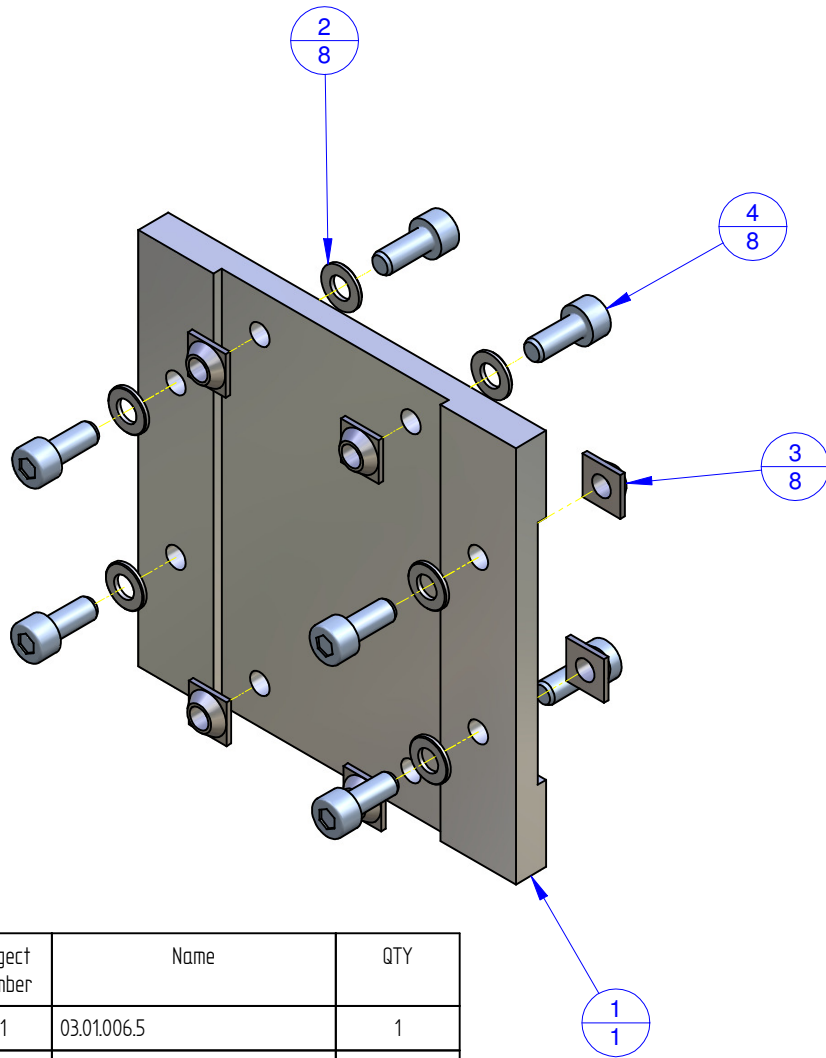
VARIED DIMENSIONS AS OF DATE:

MODIFICATIONS:

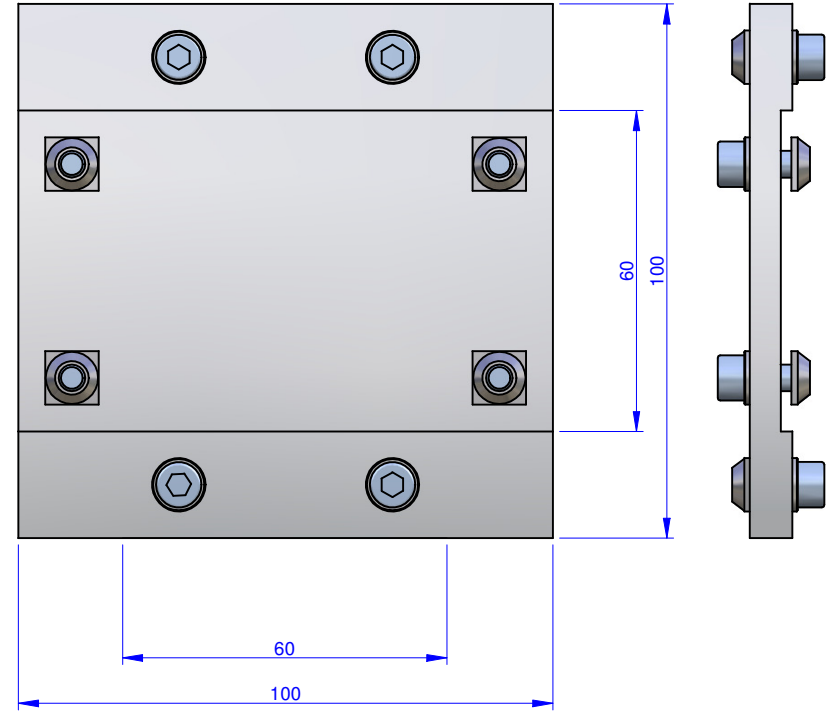
1	4
2	5
3	6

VARIED DIMENSIONS AS OF DATE:

Format **A3**
UNI 936-76



Object Number	Name	QTY
1	03.01.006.5	1
2	R5	8
3	CA.02.05.007	8
4	V.TCE M5X12	8



FP Services		DESIGNED FROM FPSERVICES	
GENERAL TOLERANCE: UNI - ISO 2768 CLASSE f		DATE 04/2014	WEIGHT 0,183 kg
DESCRIPTION		CODE CA.03.01.006.5	

